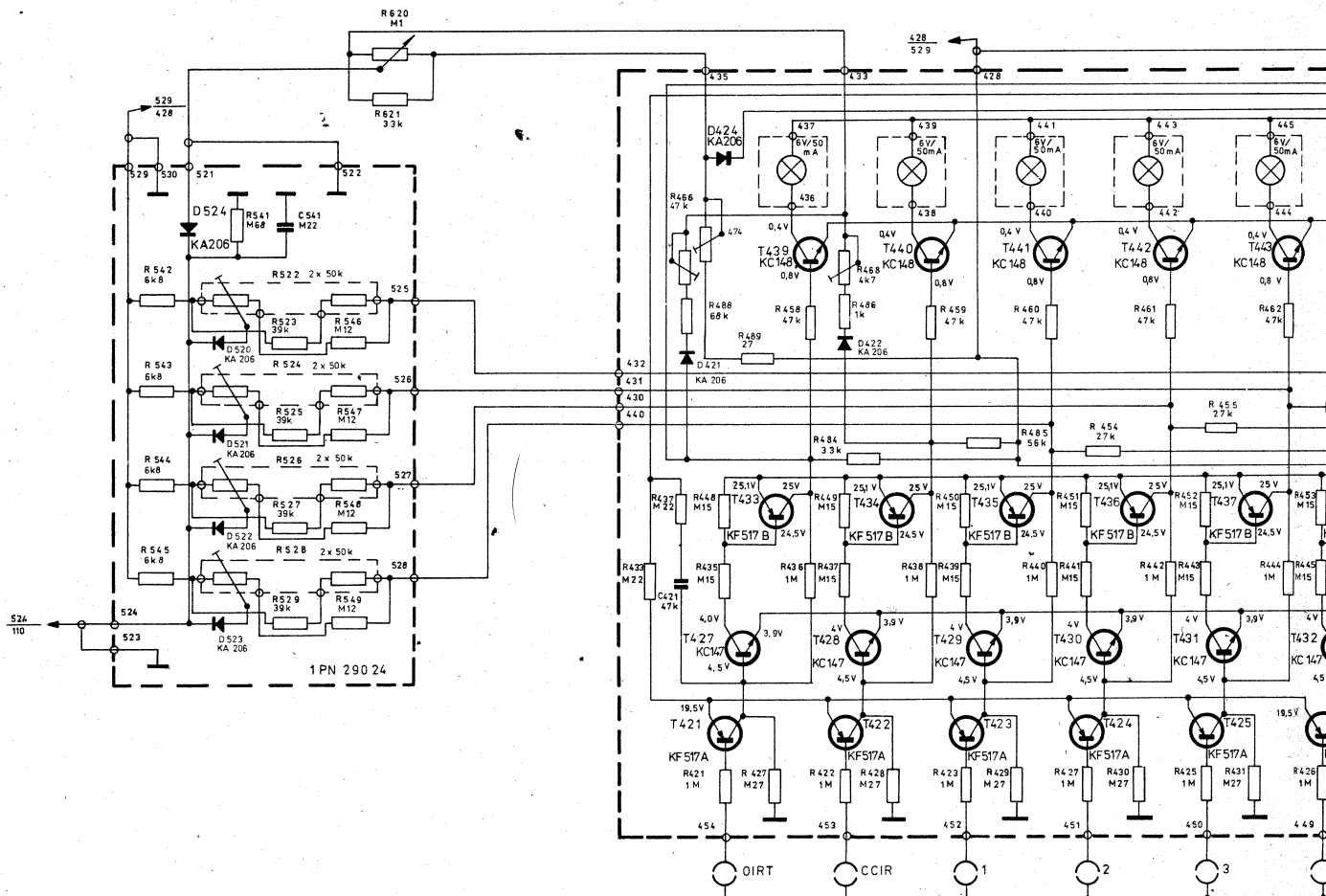
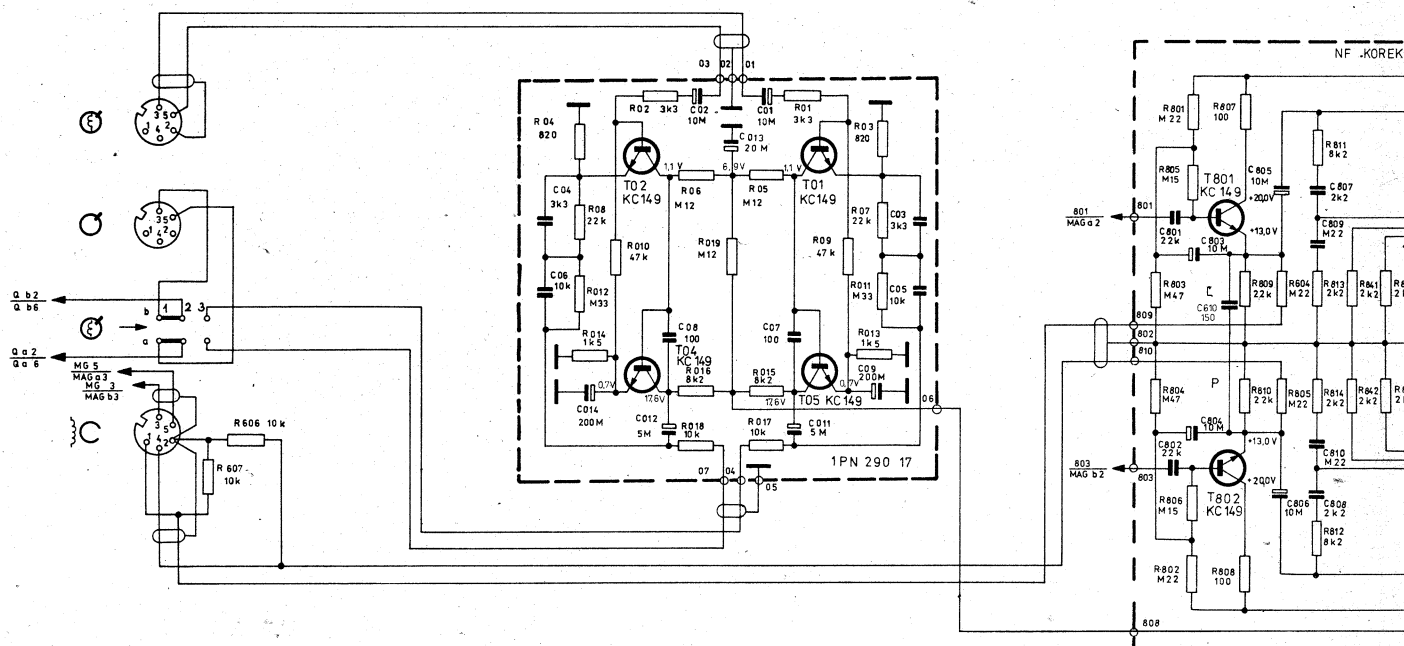
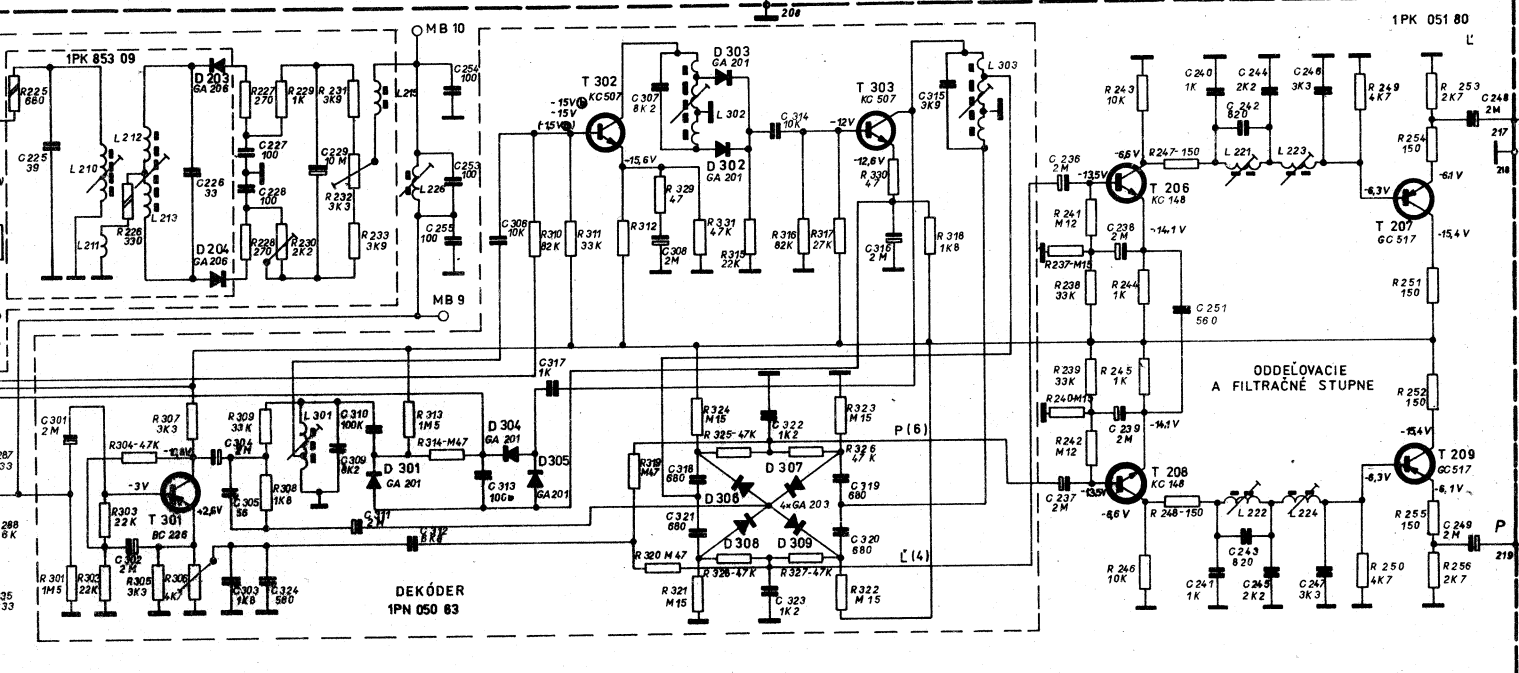
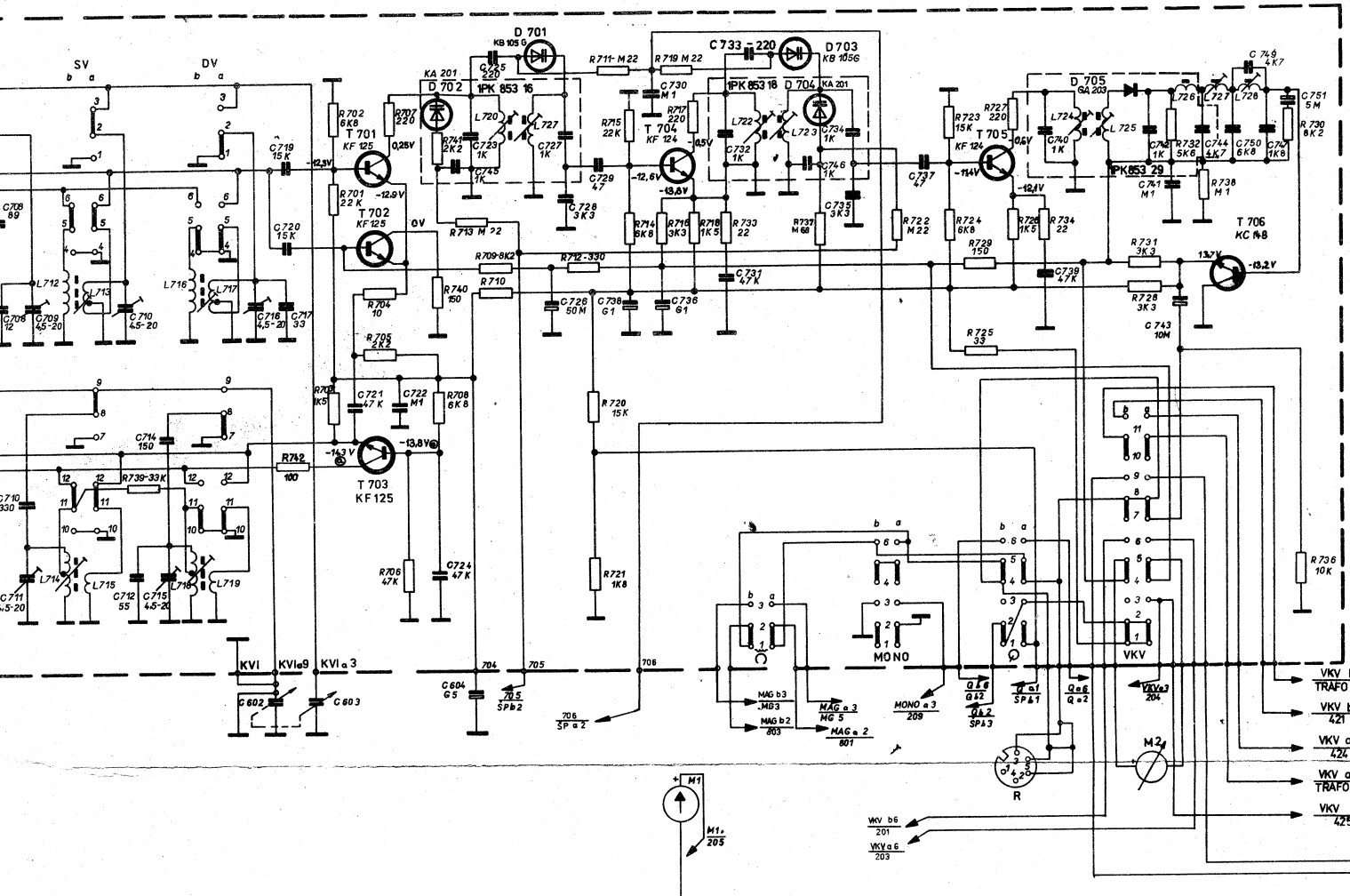


R		549, 548,	547, 546,	621,		433, 431, 446, 421, 448, 474,		458, 436, 468, 422,	459, 460, 485,	801, 806, 802, 808, 810, 805,		
R		545	544,	543, 541, 529, 528, 524, 523, 620,		04, 08, 012, 014, 010, 018, 016, 06, 01,	05, 015, 09, 03, 07, 011,	437, 428, 438, 439,	460, 461, 454, 809, 604, 813, 841, 843,			
R		542,	607, 606,	527, 526, 525, 522,		02,	435, 017,	427, 013, 404, 449, 450,	441, 424, 430, 442, 455, 462, 463, 424,			
C							421			801, 803, 805, 807, 809,		
C				541,		04, 06, 014,	08, 017, 02, 013, 01,	018, 09, 03, 05,		802, 804, 806, 808, 816		
T							02, 04,		01, 03, 439,	440, 441,	442, 801, 802,	443, 435, 429,
T										433, 427, 421, 422,	434 428,	423
D		524, 520, 521, 522, 523,								421,	422,	
D												





739	701,702,703,704,705,706,707,708,709,710,713,740,741	712,711,715,714,716,717,718,719,733	737	722,723,724,725,727,728,734	728,731,732,738,731,730,736
303,305,306,307,227,229,231,232,228,230,233,308,309,313,310,311,312,329,331,315,329,311,316,317,324,325,319,320,328,327,321,323,322,318,241,237,238,244,239,245,240,242,247,249,253,254,251,252,248,255,246,250,256.	716,717,719	721	722	745	725
708,709,714	712,714,713	715	716	717	718,719,730
225	235	301,302	228,227,228,304,305,303,324,229,308,311,312,254,253,255,306,313,317,307,308,318,321,319,320,323,314,316,236,237,239	251	240
301	701,702,703	302	704	303	207
203	301	702	304	305	303,302
712,714,210,212,213	301	720,727	302	307,308,308,309,703,704	705
					724,725,221,223,222



VŠETKY NAPÄTIA MERANÉ EL. VOLTMETROM

- ⊙ ÚDAJE BEZ POZNÄMKY PLATIA PRE STAV BEZ SIGNALU
- ⊙ BEZ SIGNALU STLAČENÉ TLAČITKO „SUN“
- ⊙ BEZ SIGNALU STLAČENÉ TLAČITKO „MONO“
- ⊙ STEREO SIGNAL Ústř 10-V
- ⊙ VSTUP SIGNAL Ústř 1m-V
- ⊙ MERANÉ CEZ ODDELOVACI ODPOR 100 KΩ

814 A 60/76 3.3.76 1  
IPA 147 61 listov: 2 list: 1

ZMENA ZAPOJENIA A OSADENIA PRIJÍMAČA VYHRADENÁ

