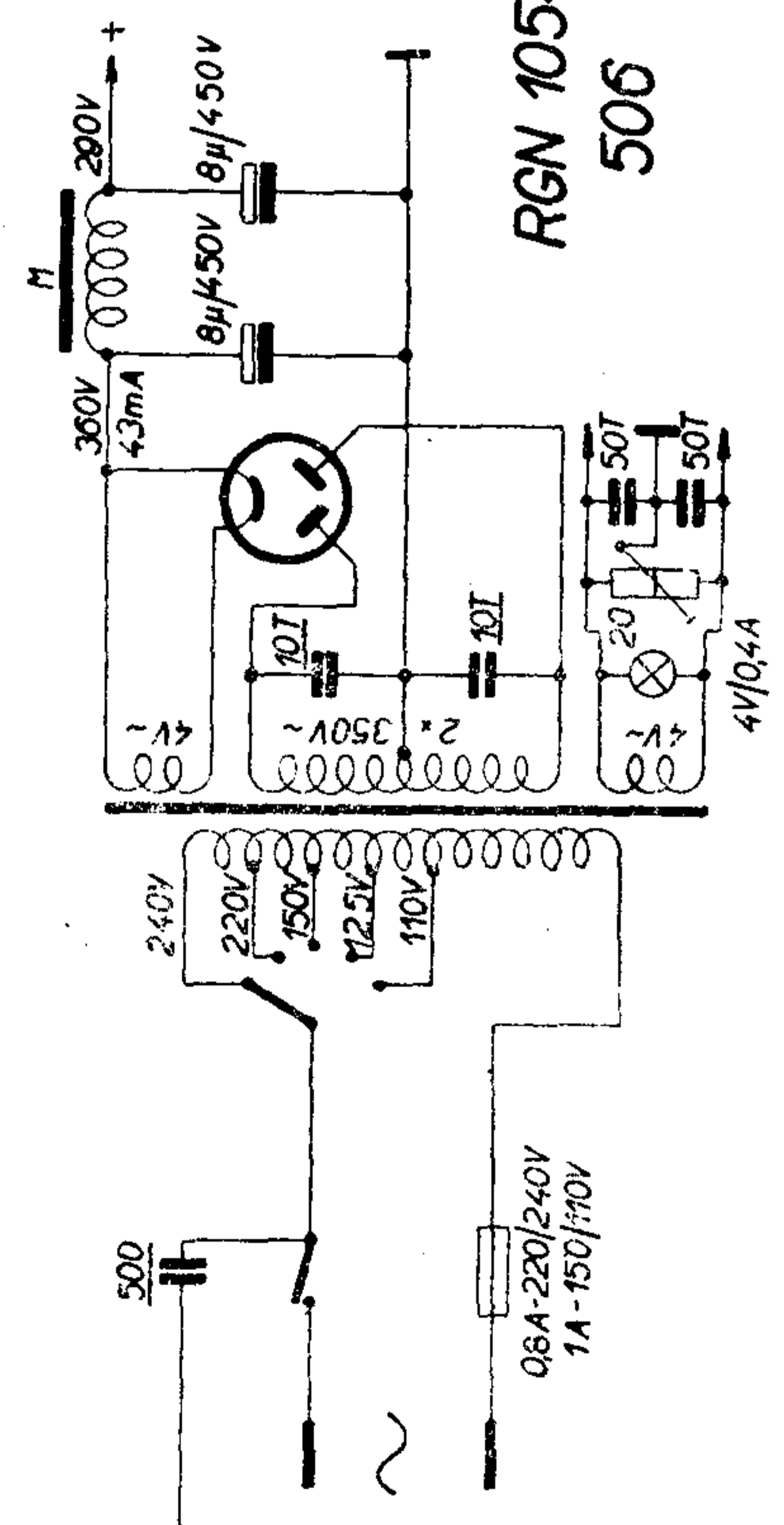
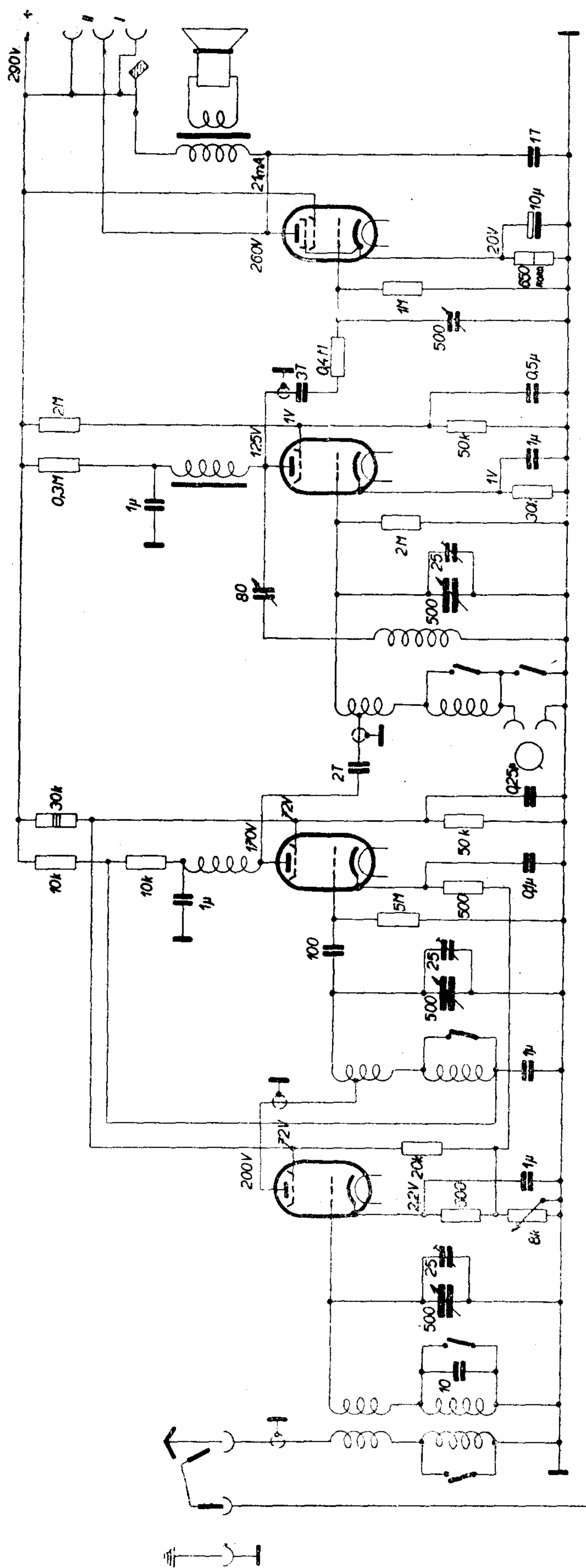


RENS 1214
E 445

RENS 1214
E 445

RENS 1204
E 442 S

RENS 1374d
E 453



φ
200-600m
700-2000m
Ω

IDEAL RADIO LW 4004

1933/34