

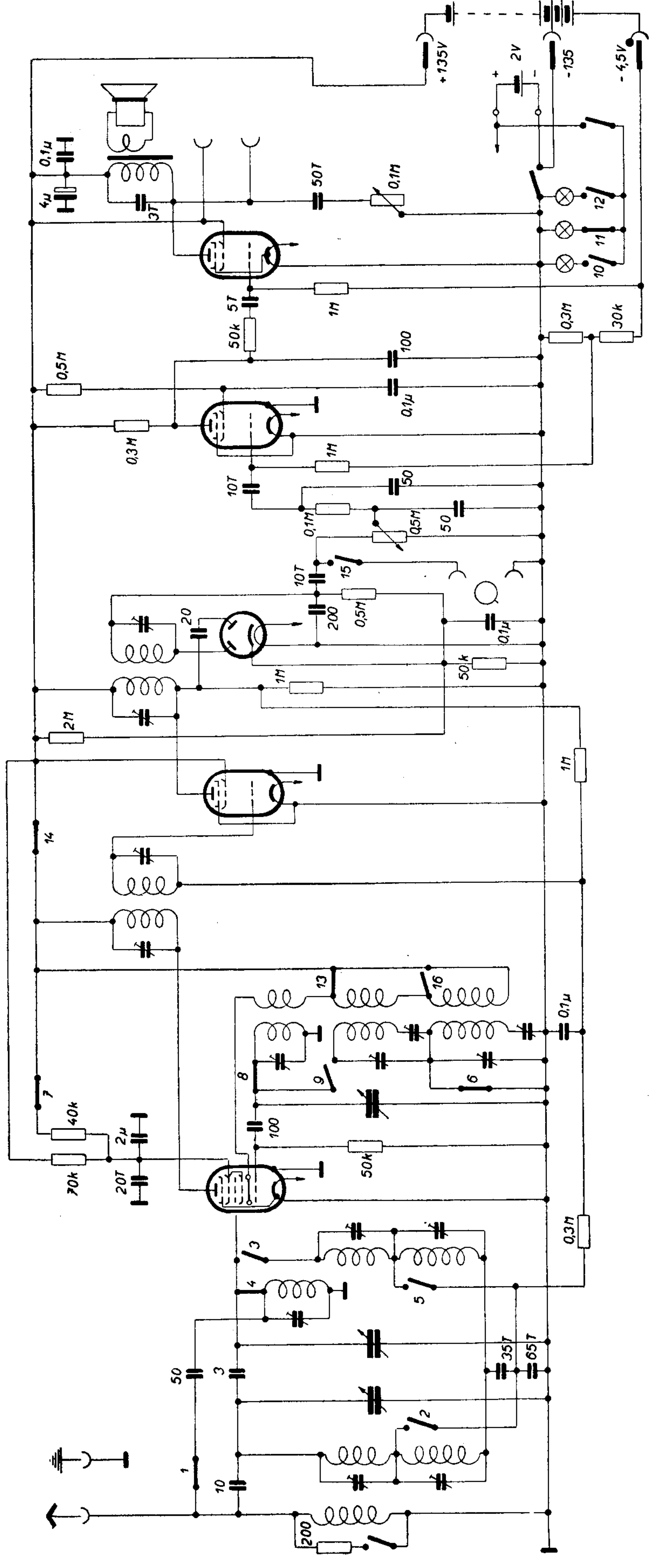
KK2

KF3

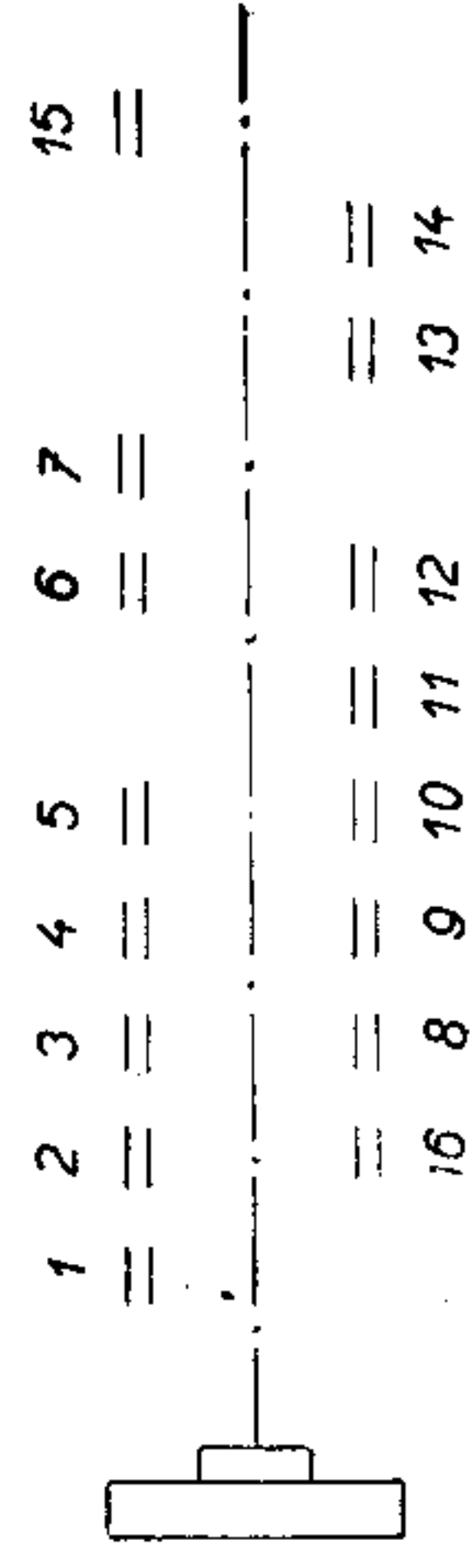
KB2

KF4

KL4



	1	2	3	4	5	6	7	8	9	10	11	12	13	14	15	16
18 - 55 m	●			●	●	●	●	●	●	●	●	●	●	●	●	●
200 - 600 m	●	●	●	●	●	●	●	●	●	●	●	●	●	●	●	●
700 - 2000 m	●	●	●	●	●	●	●	●	●	●	●	●	●	●	●	●
⊙	●	●	●	●	●	●	●	●	●	●	●	●	●	●	●	●



IRON REX B

1936/37 MF=124 kHz