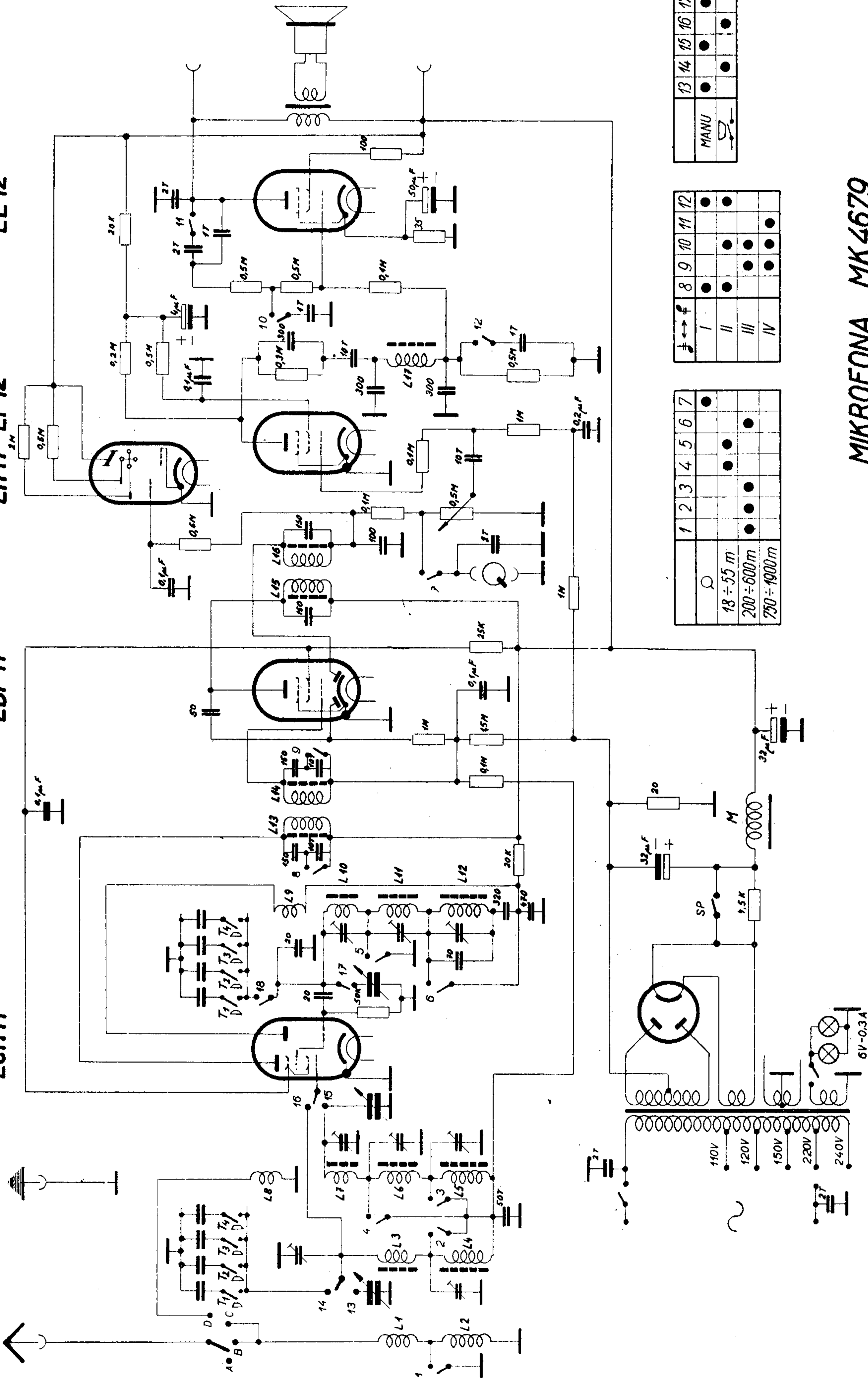


ECH11

EBF11

EM11 EF12

EL12



13	14	15	16	17	18
●	●	●	●	●	●
MANU					

↔ f	8	9	10	11	12
I	●	●	●	●	●
II	●	●	●	●	●
III	●	●	●	●	●
IV	●	●	●	●	●

	1	2	3	4	5	6	7
○							●
18 ÷ 55 m				●			
200 ÷ 600 m				●			●
750 ÷ 1900 m				●			●

MIKROFONA MK 4679

1939/40 MF=485 KHZ

AZ12