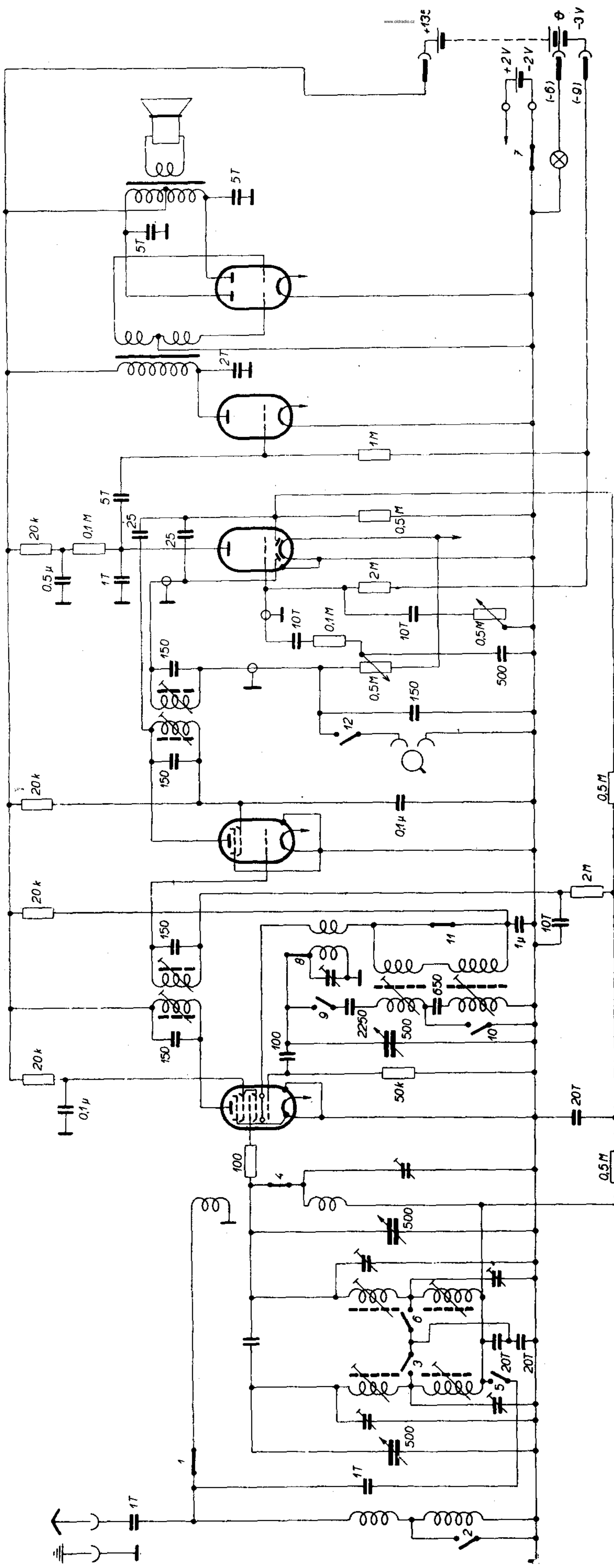


KK2 KF3 KBC1 KC3 KDD1



	12	11	10	9	8	7	6	5	4	3	2	1
10-50 m												●
200-600 m												●
750-2000 m												●
Ω												●

PALABA DIPLOMAT

1938/39 MF = 125 kHz