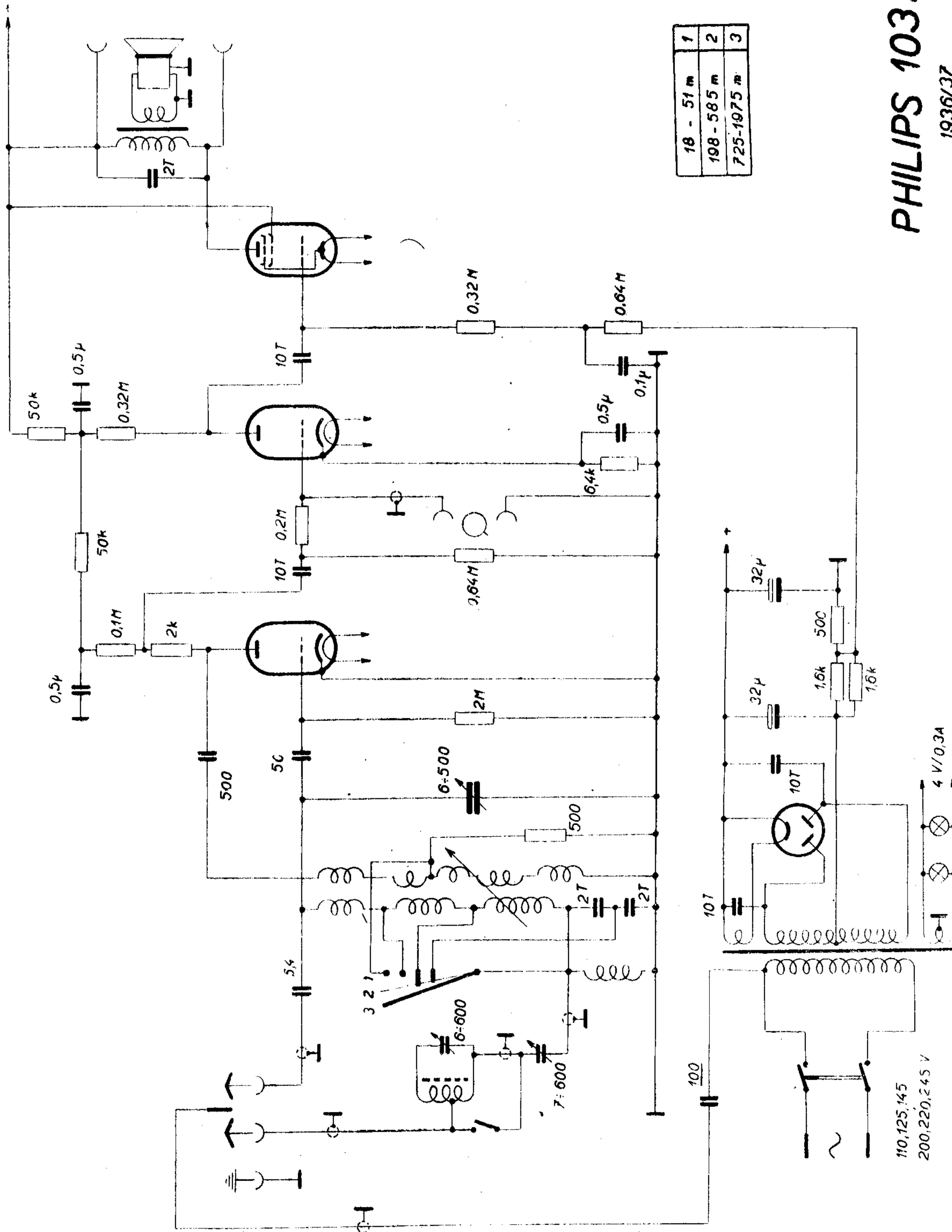


E 499 E 424N E 443H



18 - 51 m	1
198 - 585 m	2
725 - 1975 m	3

PHILIPS 103A  
1936/37

506