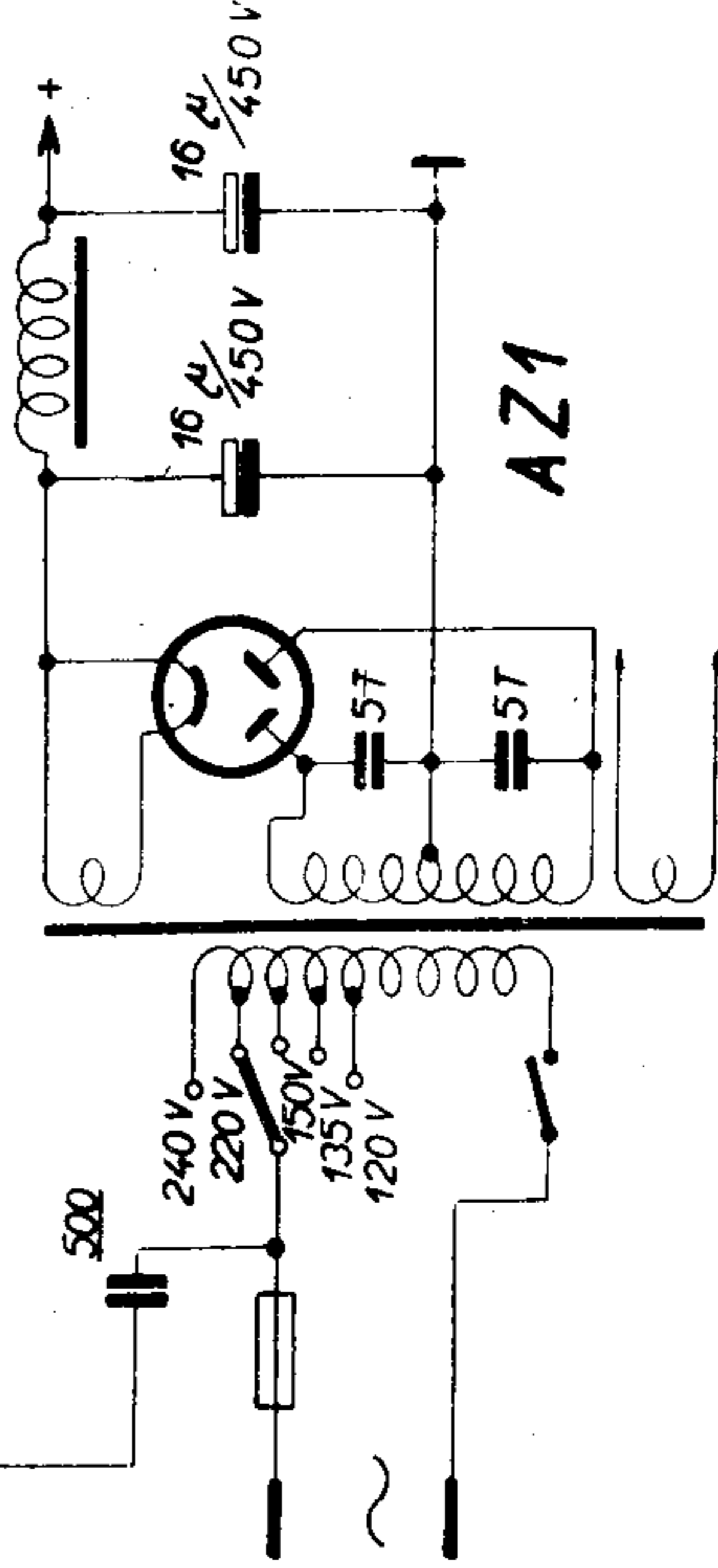
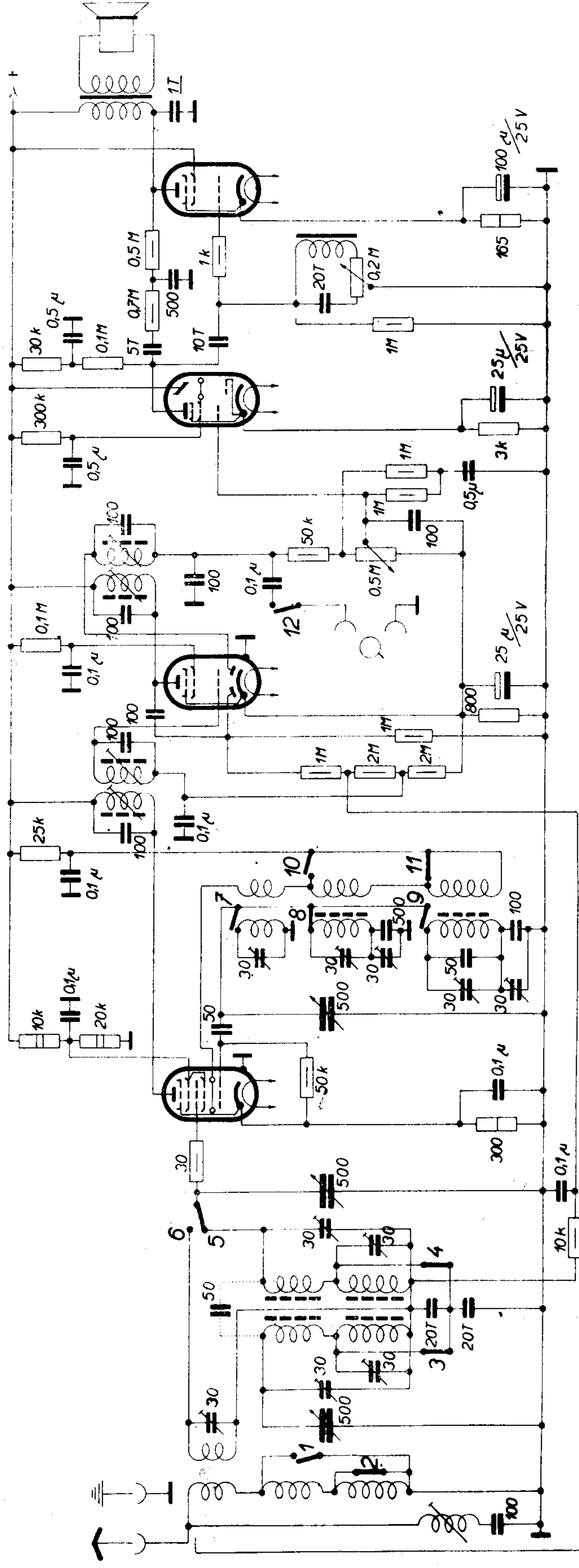


EK 3

EBF2

EFM11

EL3



	1	2	3	4	5	6	7	8	9	10	11	12
200 - 600 m	●		●	●	●			●			●	
750 - 1800 m					●				●			
16 - 50 m		●						●		●		
												○

SIGMA RIVAL
1938/39 MF=470 KHZ