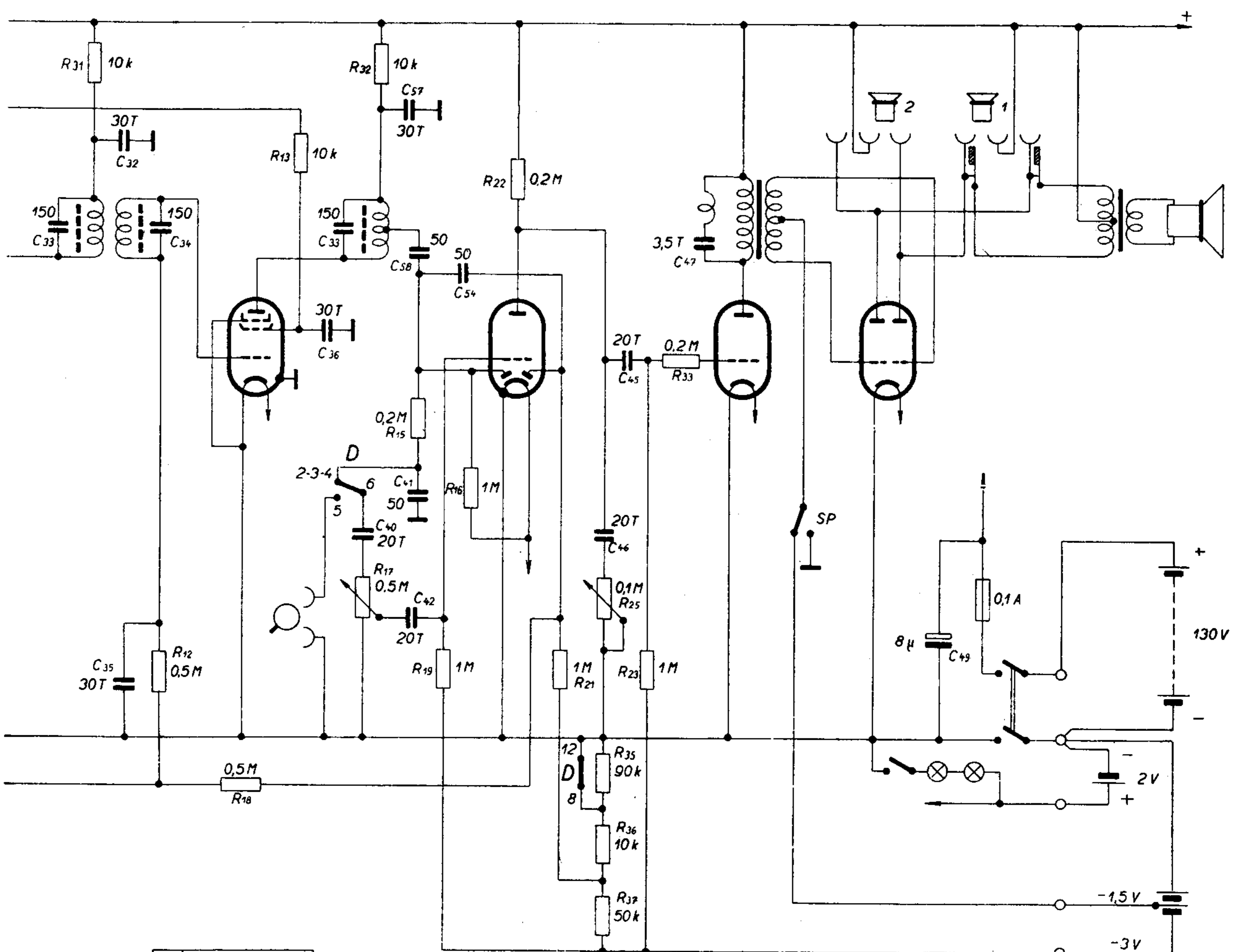


KF 3

KBC 1

KC 3

KDD 1



K	16,5 + 51 m
S	185 + 580 m
D	725 + 2100 m
G	○

TELEGRAFIA BL 40

1939/40 MF = 468 kHz