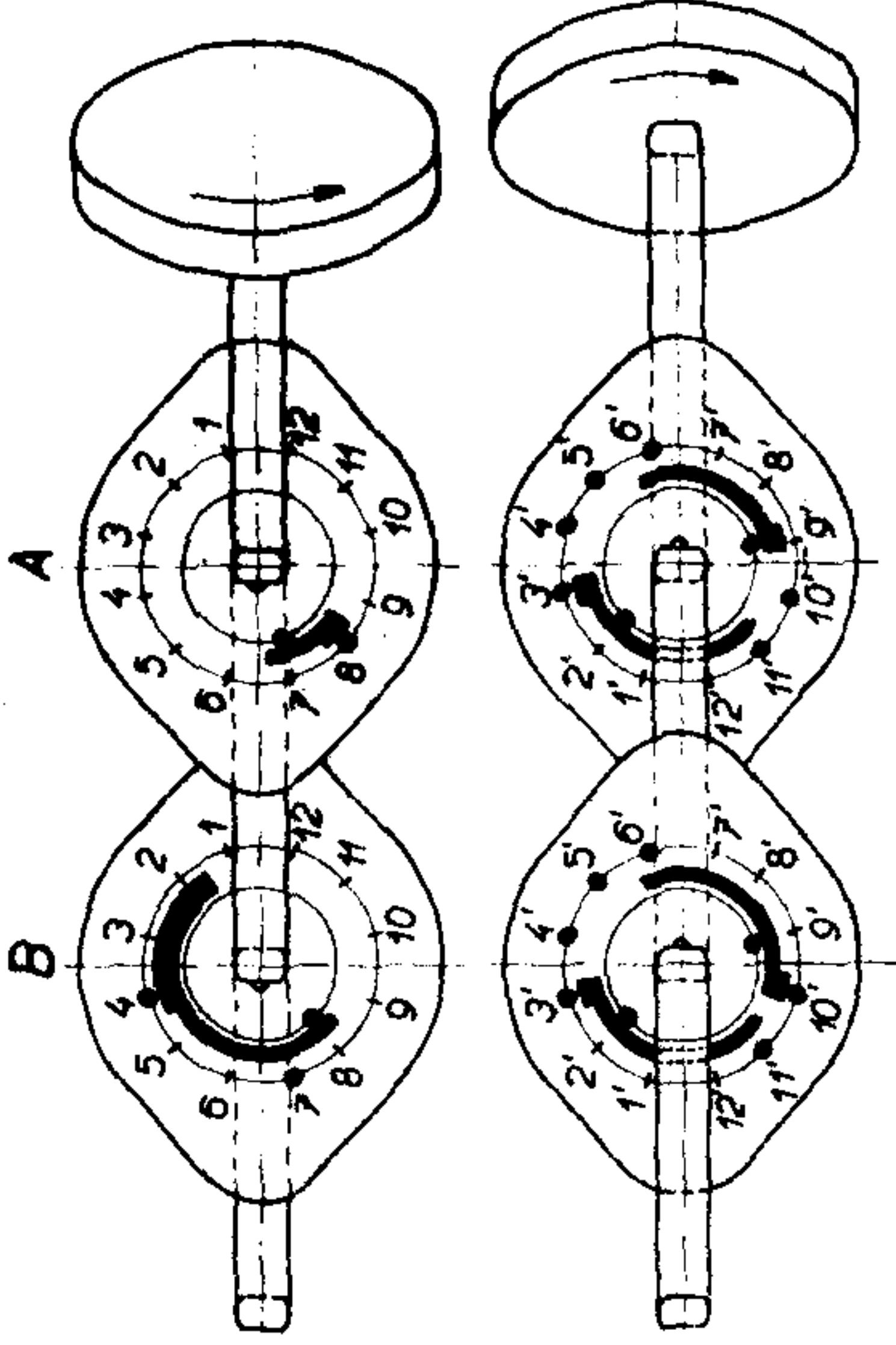
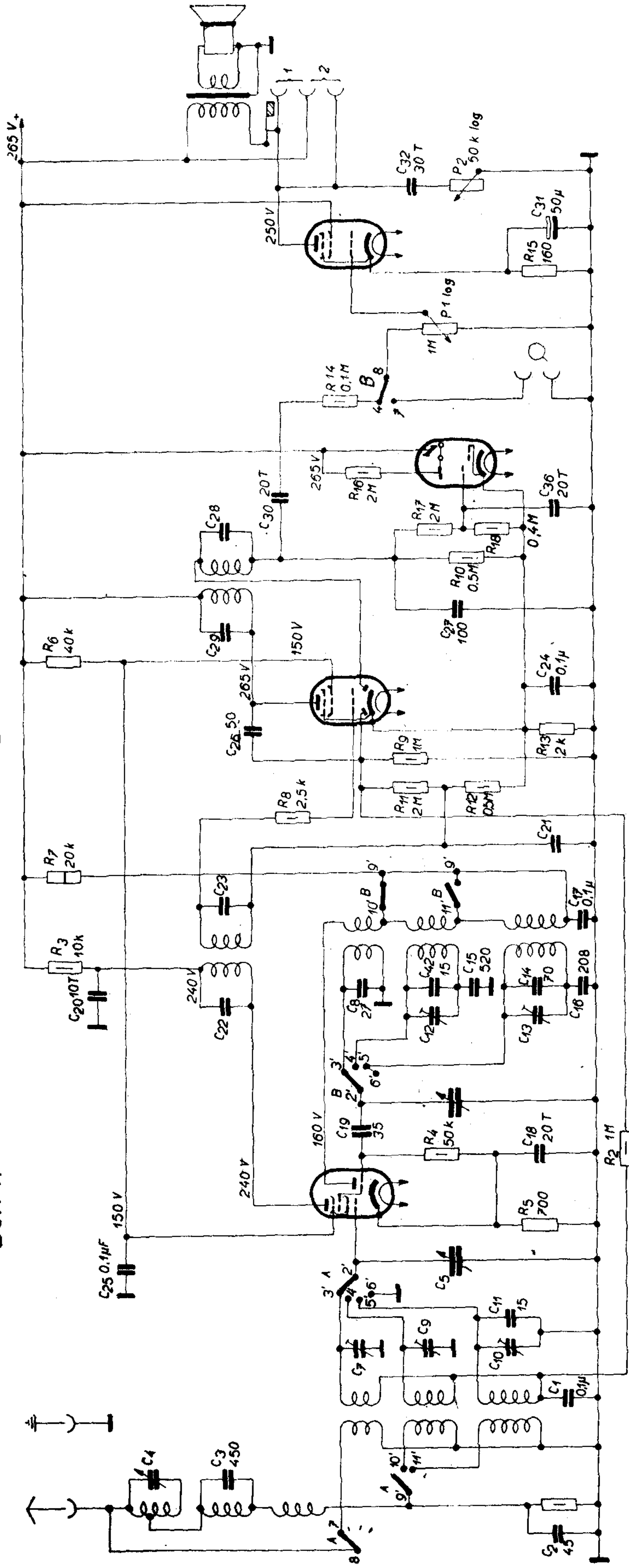


ECH 11

EBF 11

EM 1

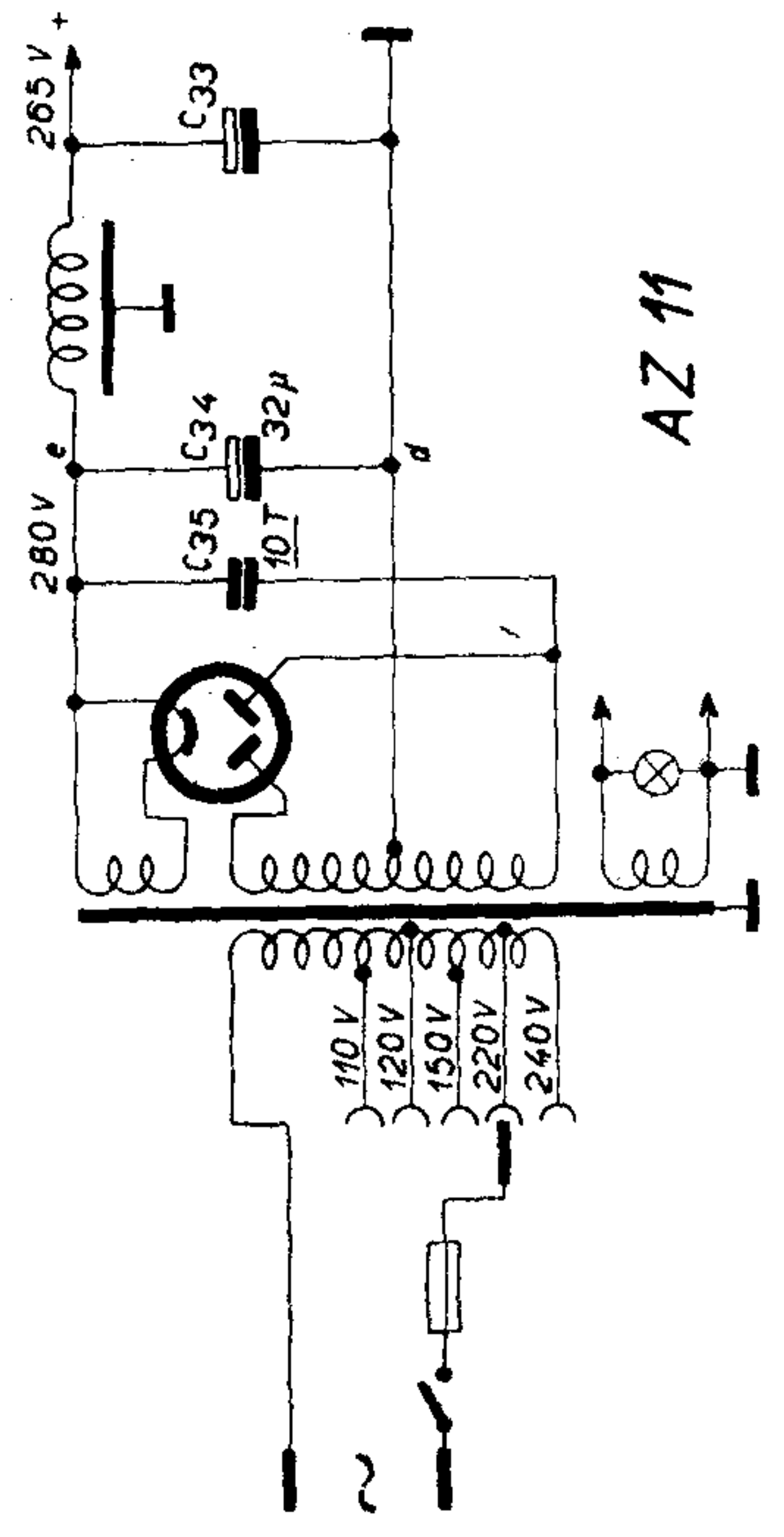
EL 11



	A	B
16 + 50 m	7-8	2'-3'
185 + 600 m	9'-10'	2'-4'
720 + 2000 m	9'-11'	2'-5'
0	2'-6'	7-8 2'-6'

$R_{VOLTM} = 1000 \Omega / V / 300000 \Omega /$

AZ 11



**TELEGRAFIA T 33**  
1939/40 MF = 470 kHz