

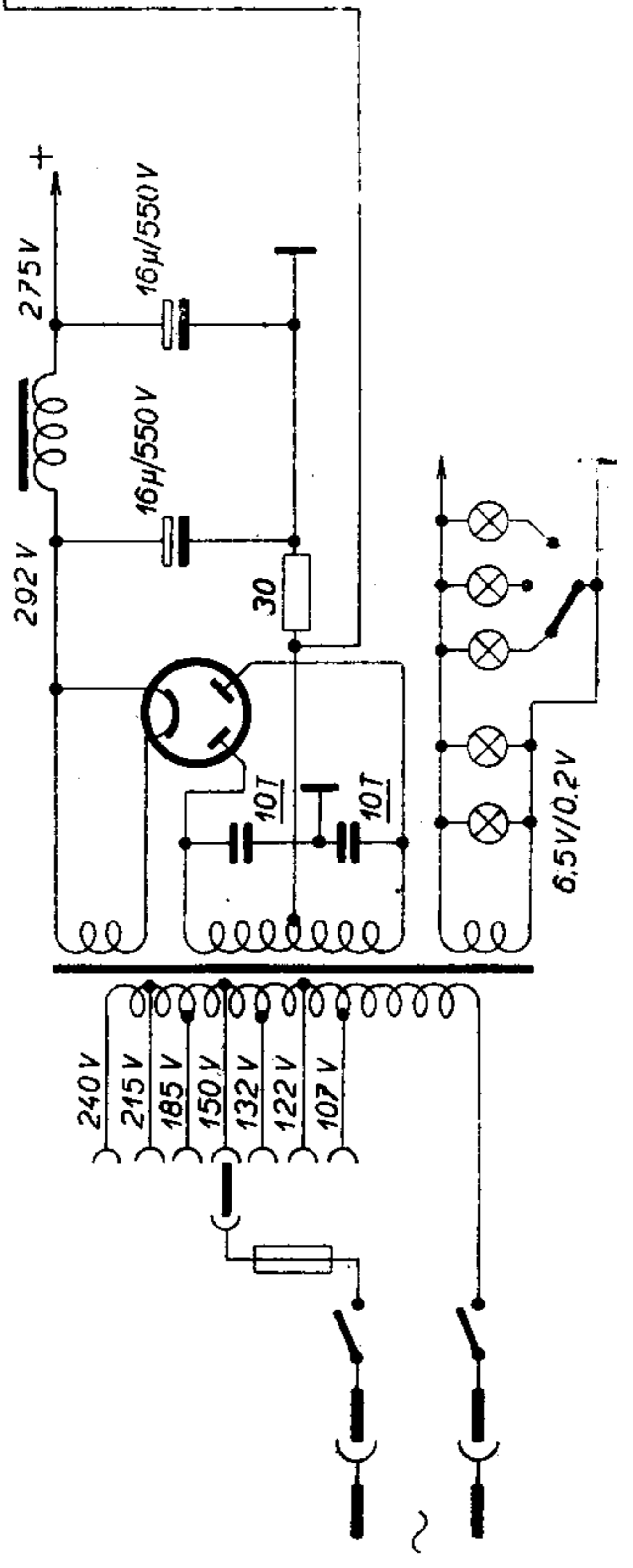
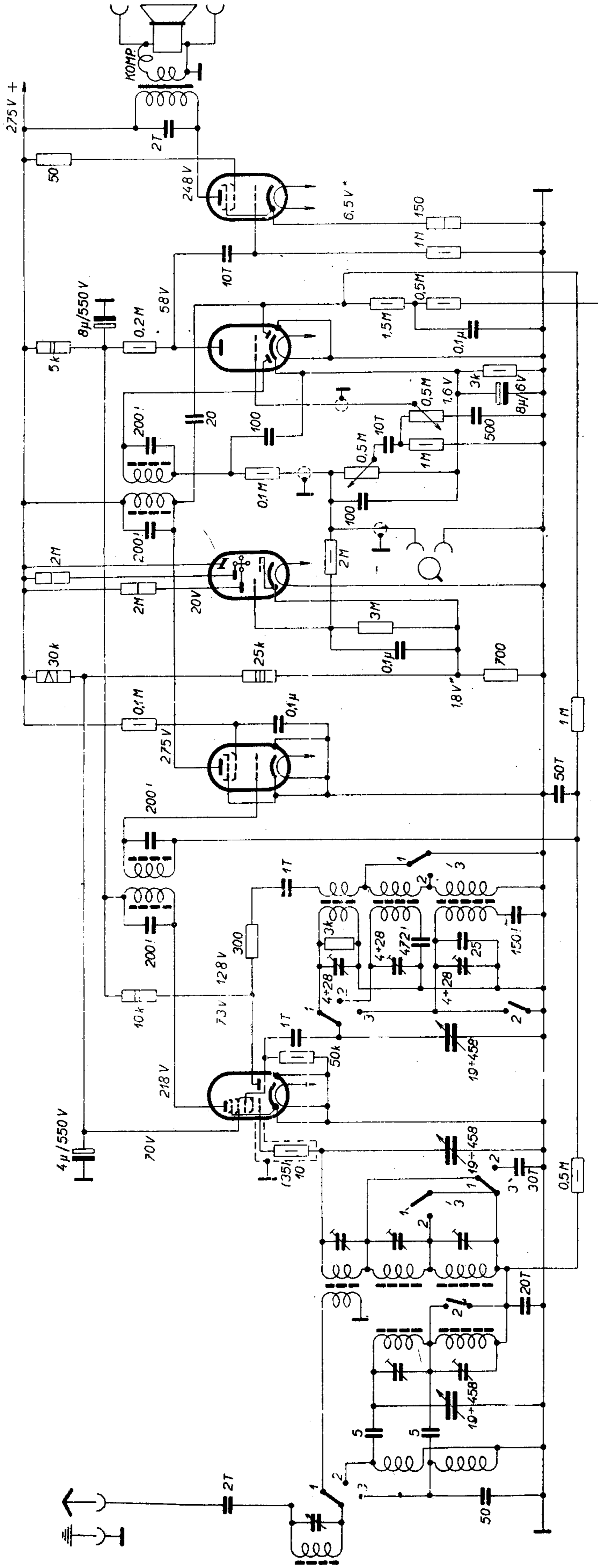
ECH2

EF9

EM4

EBC3

EL3



1	15 - 50 m
2	200 - 600 m
3	700 - 1950 m

$R_{\text{coil TM}} = 500 \Omega / V$

# TUNGSRAM ORION-TRIUMF 502

1939/40 MF = 473,6 kHz