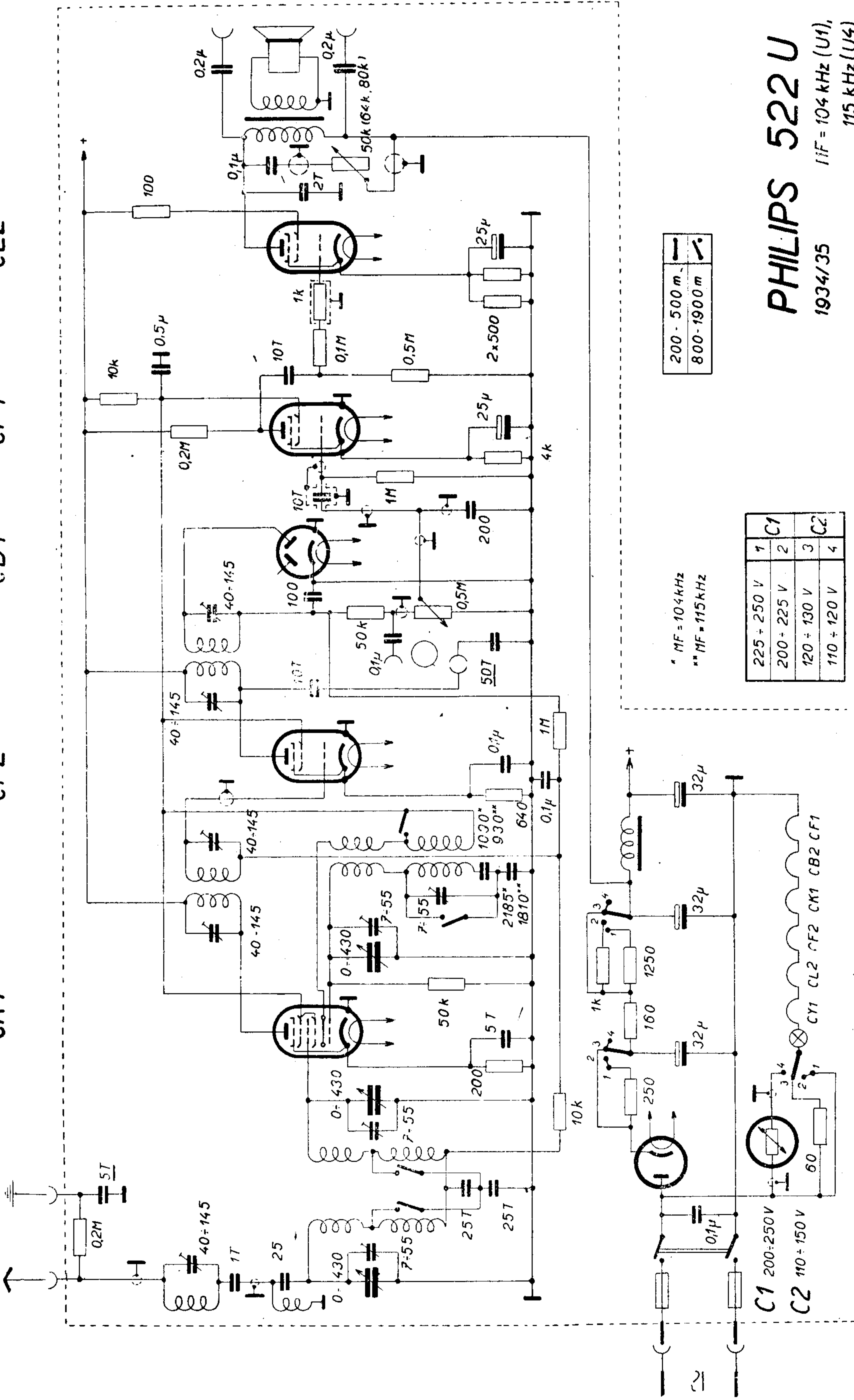


CK1 CF2 CB1 CF1 CL2



200 - 500 m	—
800 - 1900 m	—

\* MF = 104 kHz  
\*\* MF = 115 kHz

	C1	C2
1	225 ± 250 V	
2	200 - 225 V	
3	120 ± 130 V	
4	110 ± 120 V	

**PHILIPS 522 U**  
1934/35 IIF = 104 kHz (U1),  
115 kHz (U4)

CY1