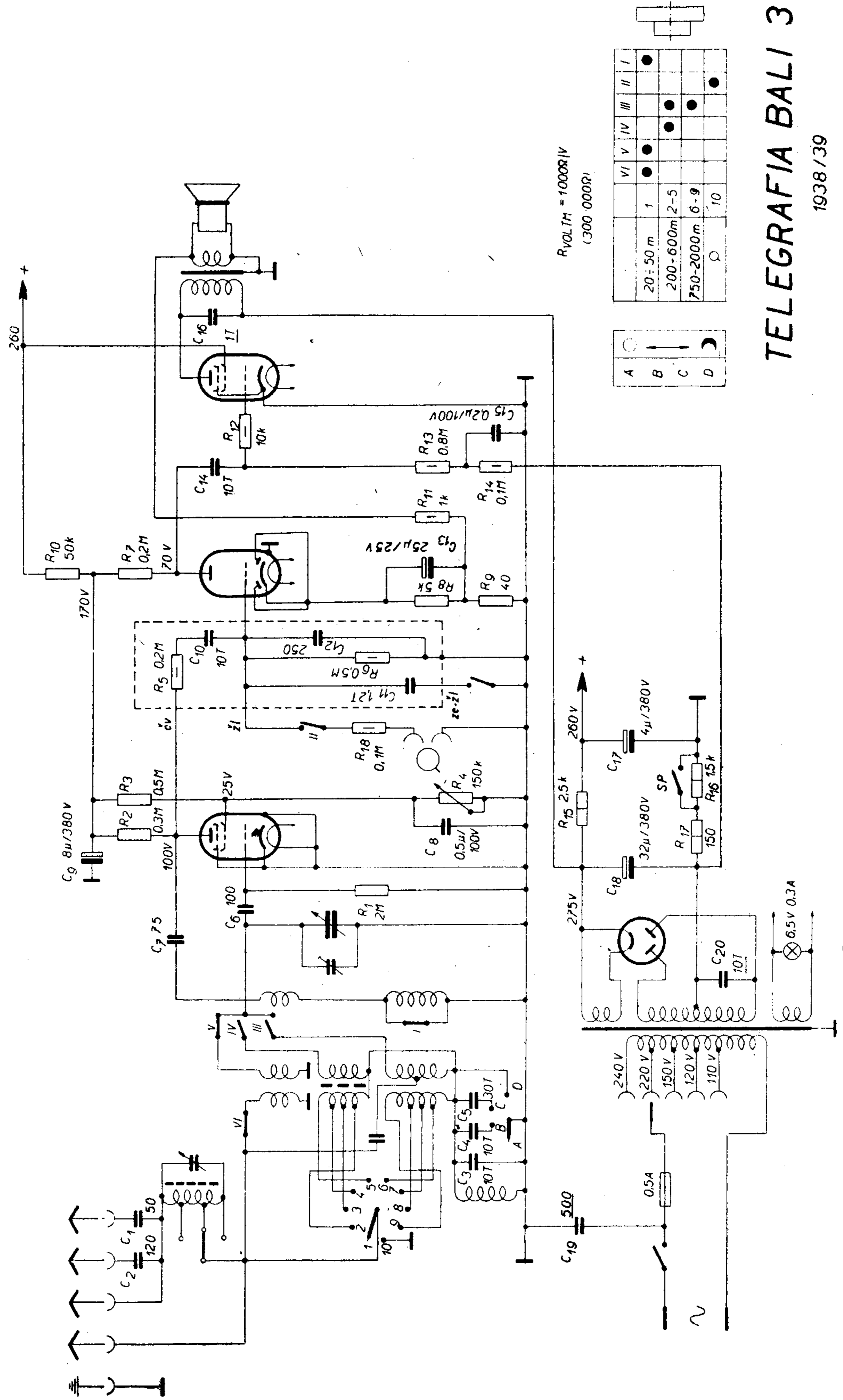


EF6 EBC3 EL3



R<sub>VOLT.M</sub> = 1000R<sub>IV</sub>  
(300 · 000R<sub>I</sub>)

A	B	C	D	VI	V	IV	III	II	I
○	→	☾		●	●	●	●	●	●
20 ÷ 50 m	1								
200 - 600 m	2-5								
750 - 2000 m	6-9								
	10								

TELEGRAFIA BALI 3

1938/39