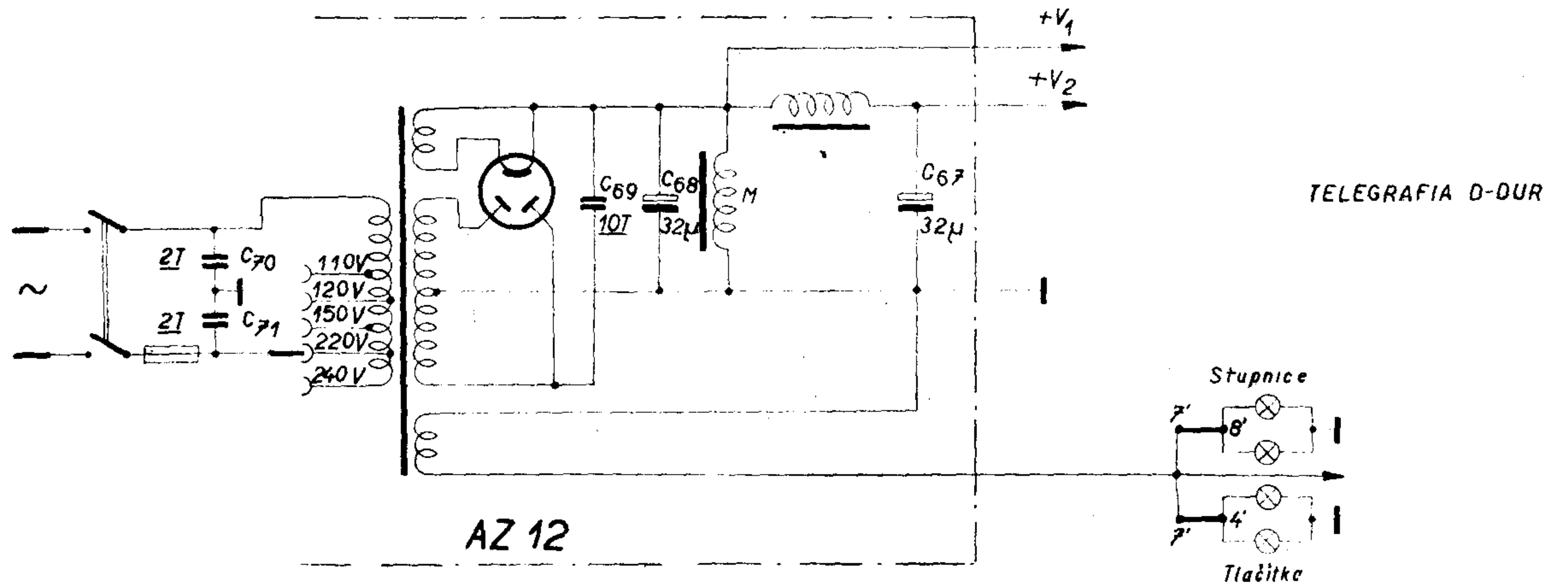
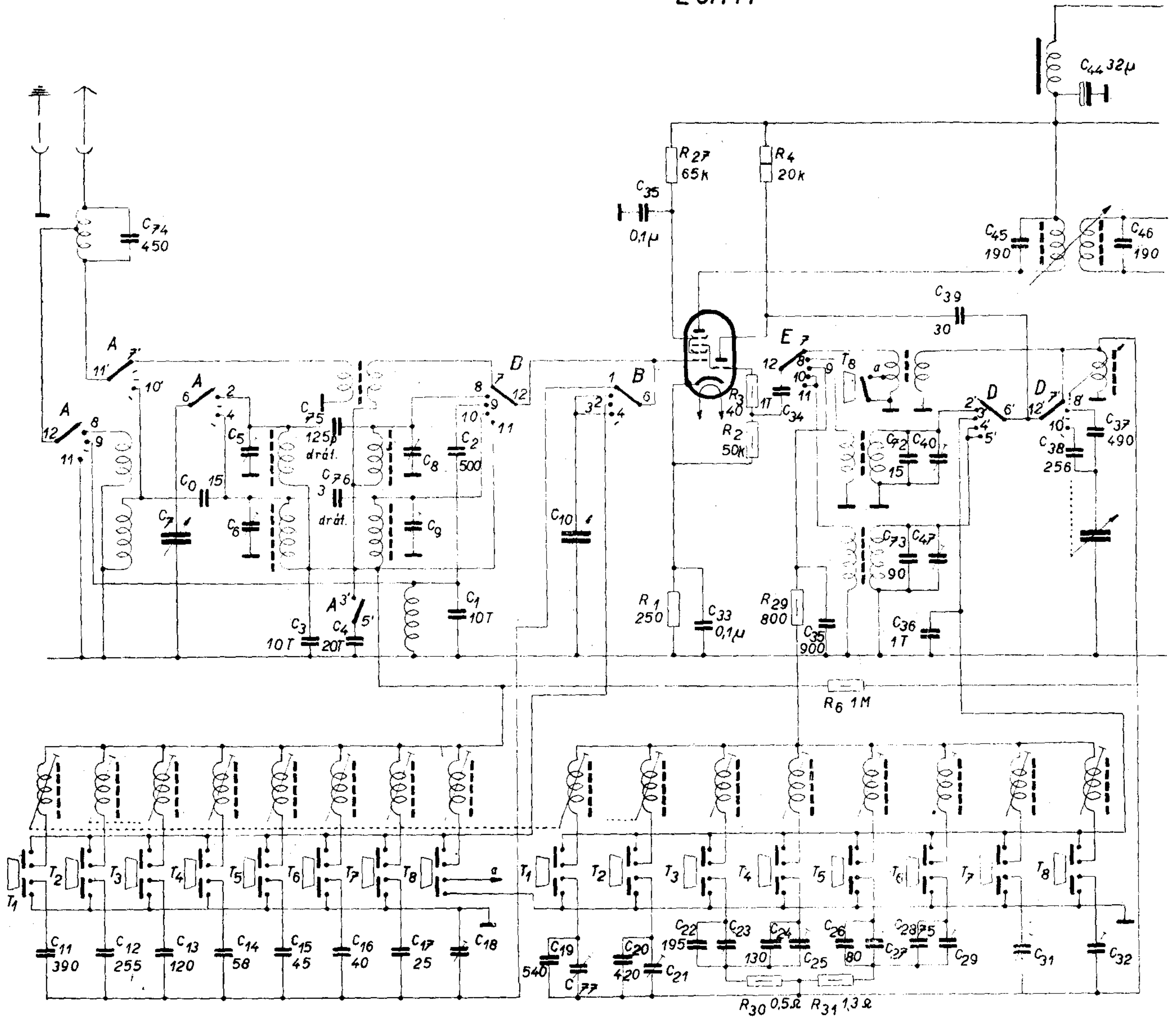


ECH11



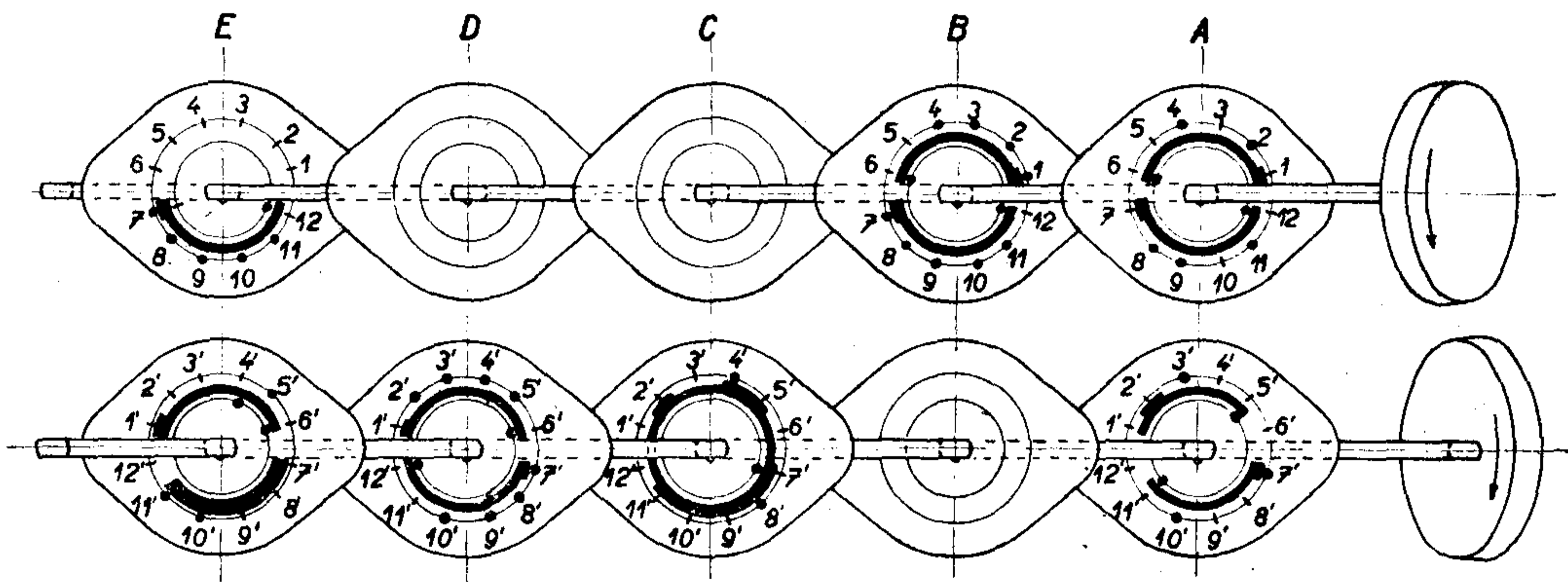
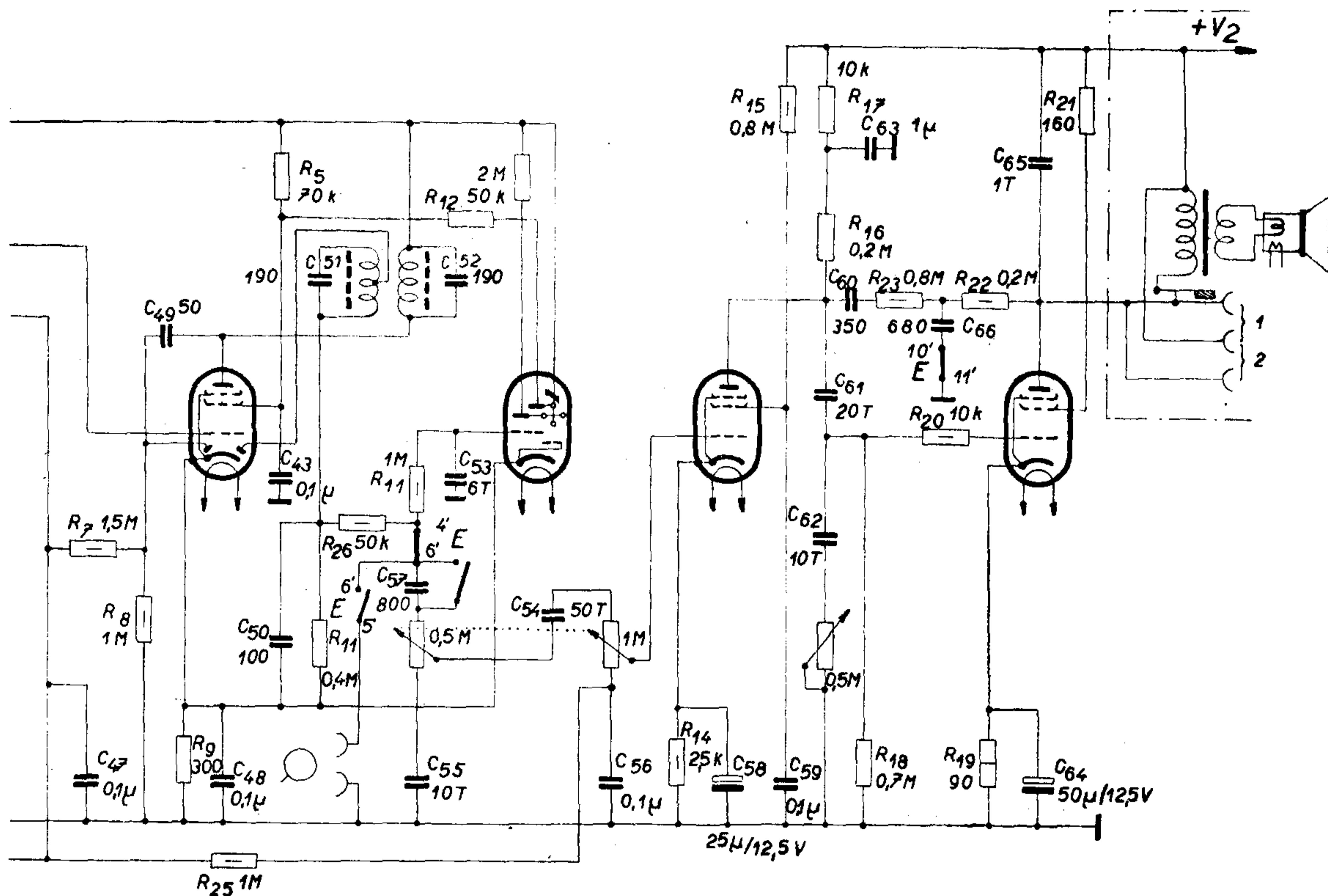
EBF 11

EM11

EF11

EL12

+V₁



	A	B	C	D	E
135 - 50 m ^{*)}	7'-11'	7-12, 1-6	4'-7'-8'	7'-12'	7-12, 4'-6', 10'-11'
185 - 600 m	2-6, 8-12, 3'-5'	8-12, 2-6	7'-8'	2'-6', 8'-12'	8-12, 4'-6', 10'-11'
▭	9-12	9-12, 3-6	4'-7'	3'-6', 9'-12'	9-12, 4'-6', 10'-11'
700 - 2000 m	4-6, 10'-11'	10-12, 4-6	7'-8'	4'-6', 10'-12'	10-12, 4'-6', 10'-11'
○	11-12	11-12	7'-8'	5'-6'	11-12, 5'-6'

*) T₁: 14 m T₂: 16 m
 T₃: 19 m T₄: 21 m
 T₅: 25 m T₆: 31 m
 T₇: 42 m T₈: 50 m

DO VÝROBNÍHO ČÍSLA 500500

TELEGRAFIA D-DUR

1940/41

MF=470 KHz

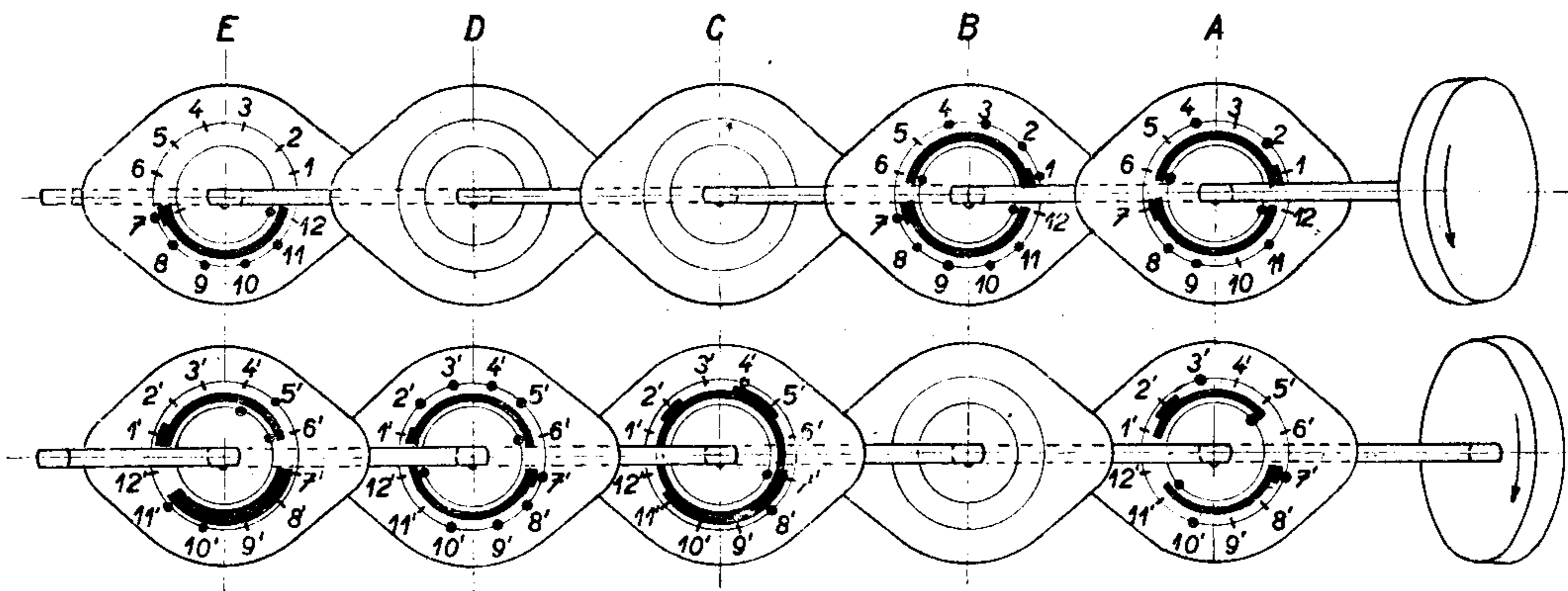
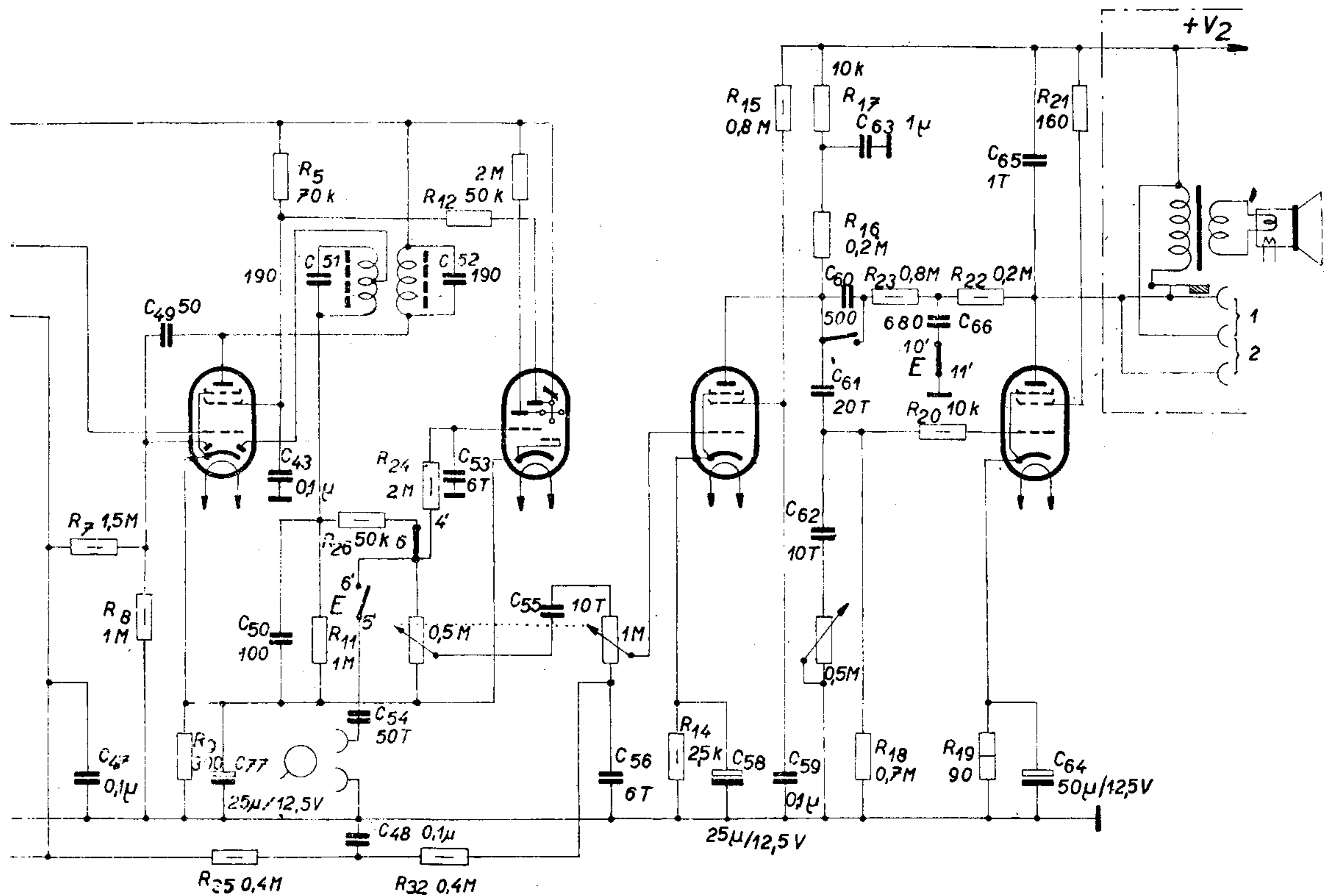
EBF 11

EM11

EF11

EL12

+V₁



	A	B	C	D	E
135 - 50 m ^{*)}	7'-11'	7'-12, 1-6	4'-7'-8'	7'-12'	7'-12, 4'-6', 10'-11'
185 - 600 m	2-6, 8-12, 3'-5'	8-12, 2-6	7'-8'	2'-6', 8'-12 ⁿ	8-12, 4'-6', 10'-11'
□	9-12	9-12, 3-6	4'-7'	3'-6', 9'-12'	9-12, 4'-6', 10'-11'
∇00-2000 m	4-6, 10'-11'	10-12, 4-6	7'-8'	4'-6', 10'-12'	10-12, 4'-6', 10'-11'
○	11-12	11-12	7'-8'	5'-6'	11-12, 5'-6'

*) T₁: 14 m T₂: 16 m
 T₃: 19 m T₄: 21 m
 T₅: 25 m T₆: 31 m
 T₇: 42 m T₈: 50 m

OD VÝROBNÍHO ČÍSLA 500501

TELEGRAFIA D-DUR

1940/41

MF=470 KHz